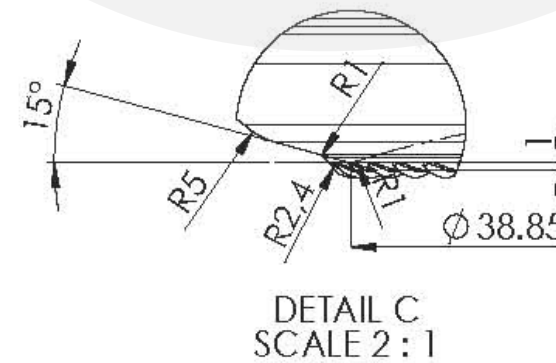
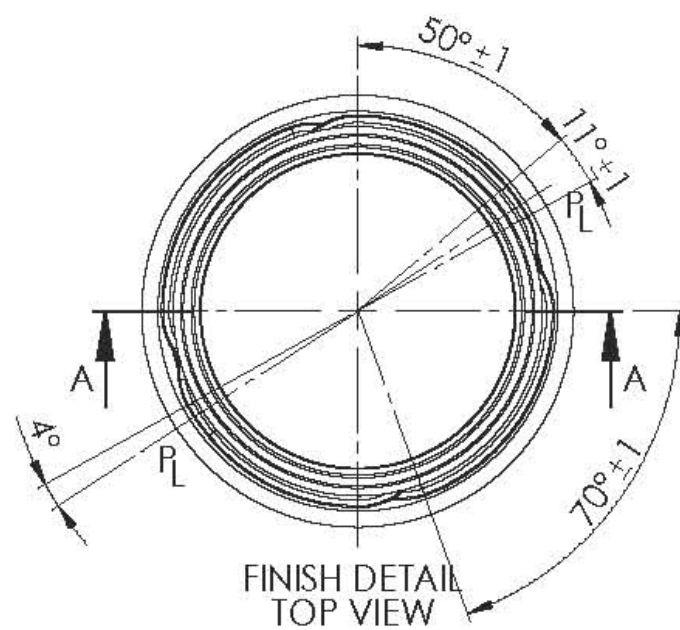


- ① CAPACITY - 3mm HEIGHT, 0.4mm DEEP
- ② FACTORY LOGO - 3mm HEIGHT, 0.4mm DEEP
- ③ "A" LETTER - 3mm HEIGHT, 0.4mm DEEP
- ④ CAVITY NUMBER - 3mm HEIGHT, 0.4mm DEEP
- ⑤ STIPPLES - 48pcs, 0.5mm DEEP
- ⑥ 13 DOT CODE



SHEET 1/1		PRODUCT NAME: JAR SMILEY 143ml		FINISH TYPE: TO S3 - CETIE GME20.04	
A3	ИЗДАНИЕ: БУРКА И СМАЙЛИ 143ml				
SCALE	Drawing No: 133500 JAR SMILEY 143ml TO S3	PRODUCT CODE: 133500		DATE: 05.05.2025	
1:1	DRAWN: N.PETKOV 04/4/24	CHECKED: KAMENOV 04/4/24		REV.	
---REVISIONS---					
5					
4					
3					
2					
1					
WEIGHT 105 ± 10 g					
NOMINAL CAPACITY					
BRIMFUL CAPACITY 143 ± 7 ml					
COLOR FUHT					
FILLING LINE - mm					
TIP ANGLE 22.1°					
HEADSPACE - %					
CARBONATION NO					
RETURNABLE NO					
CUSTOMER FACTORY OWNED					
PRODUCTION PROCESS PRESS & BLOW					